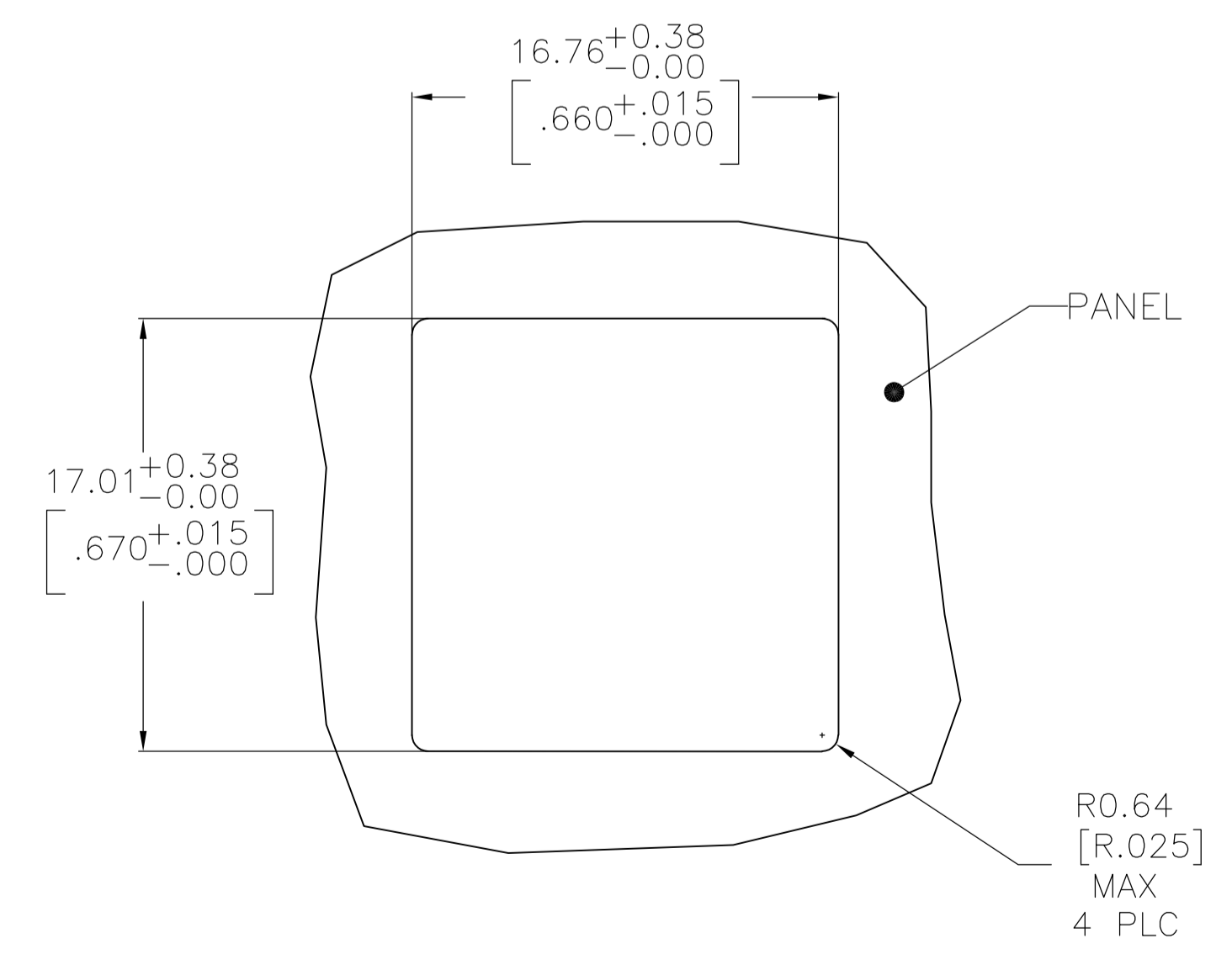


RECOMMENDED PRINTED CIRCUIT BOARD LAYOUT  
 COMPONENT SIDE SHOWN



RECOMMENDED PANEL CUTOUT

- MATERIAL:  
 HOUSING – POLYESTER MOLDING COMPOUND, COLOR: BLACK  
 TERMINALS – 0.35[.0138] THICK PHOS BRONZE PLATED WITH 1.27µm[.000050] MIN THICK GOLD IN LOCALIZED AREA AND 3.81µm[.000150] MIN THICK MATTE TIN IN SOLDER AREA OVER 1.27µm[.000050] MIN THICK NICKEL UNDERPLATE  
 SHIELD – COPPER ZINC ALLOY PLATED WITH 3.0µm[.000120] MIN THICK REFLOWED TIN.

2 CAVITY CONFORMS TO FCC RULES AND REGULATIONS PART 68 AND REA BULLETIN 345-81, PE-76 SPECIFICATION FOR MODULAR TELEPHONE HARDWARE.

6368115-1  
 PART NO

THIS DRAWING IS A CONTROLLED DOCUMENT.		DIN	15JUN2005	Tyco Electronics Corporation	
		CHK	DOCKS	Harrisburg, PA 17105-3608	
		APVD	15JUN2005	NAME	
		FLICKINGER		MODULAR JACK ASSEMBY, TOP ENTRY,	
DIMENSIONS:		PRODUCT SPEC		8 POSITION, SHIELDED, WITH PANEL STOPS,	
mm [INCHES]		108-1163		PCB AND PANEL GROUNDS (IR COMPATIBLE)	
TOLERANCES UNLESS OTHERWISE SPECIFIED:		APPLICATION SPEC		SIZE	
0 PLC ± -		114-2048		CAGE CODE DRAWING NO	
1 PLC ± -		100779		SCALE	
2 PLC ± -		6368115		SHEET	
3 PLC ± 0.13(.005)		1		OF 1	
4 PLC ± -		REV		C	
ANGLES ± -		CUSTOMER DRAWING			
MATERIAL SEE NOTE 1		FINISH SEE NOTE 1		WEIGHT	